

**CODE NUMBER**

4021000

**DESCRIPTION**

Polished Chrome Finish, Act-O-Matic® Standard Showerhead.

**DETAILS**

- Finish: Polished Chrome (CP)
- Flow Rate: 2.5 gpm (10 Lpm) (2.5GPM)
- Self-Cleaning: Yes

**FEATURES**

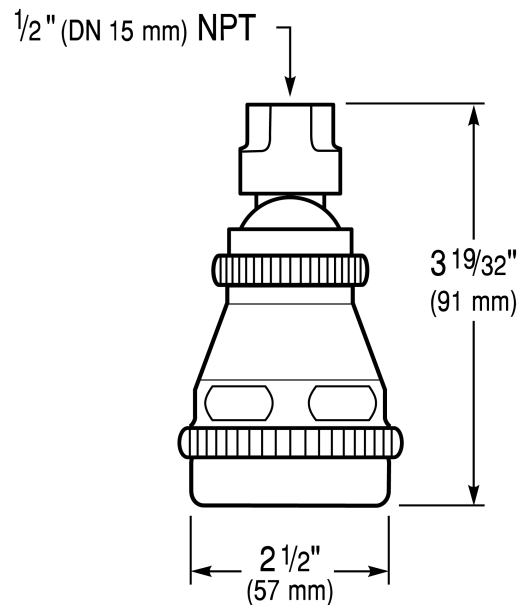
Act-O-Matic, Chrome Plated Shower Head with the following features:

- Spring loaded, Self-cleaning Spray Disk to prevent particle clogging
- “Cone-within-a-cone” Spray Pattern for total body coverage
- Pressure Compensating 2.5 gpm/9.4 Lpm Flow Control
- All Brass Construction
- 1/2” I.P.S. Inlet
- Universal Ball Joint

Shower Head shall be in conformance to all requirements of ANSI/ASME Standard A112.18.1M, CSA B-125 and the United States Federal Energy Policy Act.

**DOWNLOADS**

- [Showerhead Parts and Accessories Repair and Maintenance Guide](#)
- [Additional Downloads](#)



**COMPLIANCES & CERTIFICATIONS**



(BAA Compliant, cUPC Certified)

**RECOMMENDED SPECIFICATION**

Sloan Act-O-Matic Showerhead model no. AC-51 2.5 gpm. Chrome Plated.

**NOTES**

All information contained within this document subject to change without notice.

**Sloan 10500 Seymour Ave, Franklin Park, IL 60131**

Phone: 800.982.5839 • Fax: 800.447.8329 • [sloan.com](http://sloan.com)